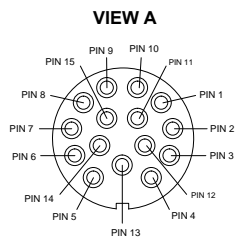


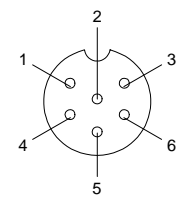
Revision Notes.				
R1 -				
APA: -	Drawn:-	Checked:-	Approved:-	Date: -



MALE MATING FACE

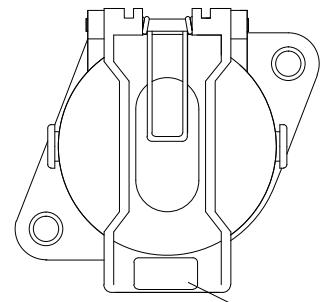
PIN NUMBER	WIRE COLOUR	SHIELDED	SHIELD CONNECTED TO	FUNCTION
1	RED	NO	N/A	5.2V FOR CAMERA 1
2	SHIELD	NO	N/A	GROUND FOR CAMERA 1
3	-	-	-	-
4	YELLOW	YES	PIN 2	VIDEO FOR CAMERA 1
5	-	-	-	-
6	RED	NO	N/A	5.2V FOR CAMERA 2
7	RED	NO	N/A	5.2V FOR CAMERA 3
8	-	-	-	-
9	YELLOW	YES	PIN 10	VIDEO FOR CAMERA 2
10	SHIELD	NO	N/A	GROUND FOR CAMERA 2
11	SHIELD	NO	N/A	GROUND FOR CAMERA 3
12	YELLOW	YES	PIN 11	VIDEO FOR CAMERA 3
13	-	-	-	-
14	-	-	-	-
15	-	-	-	-

VIEW B

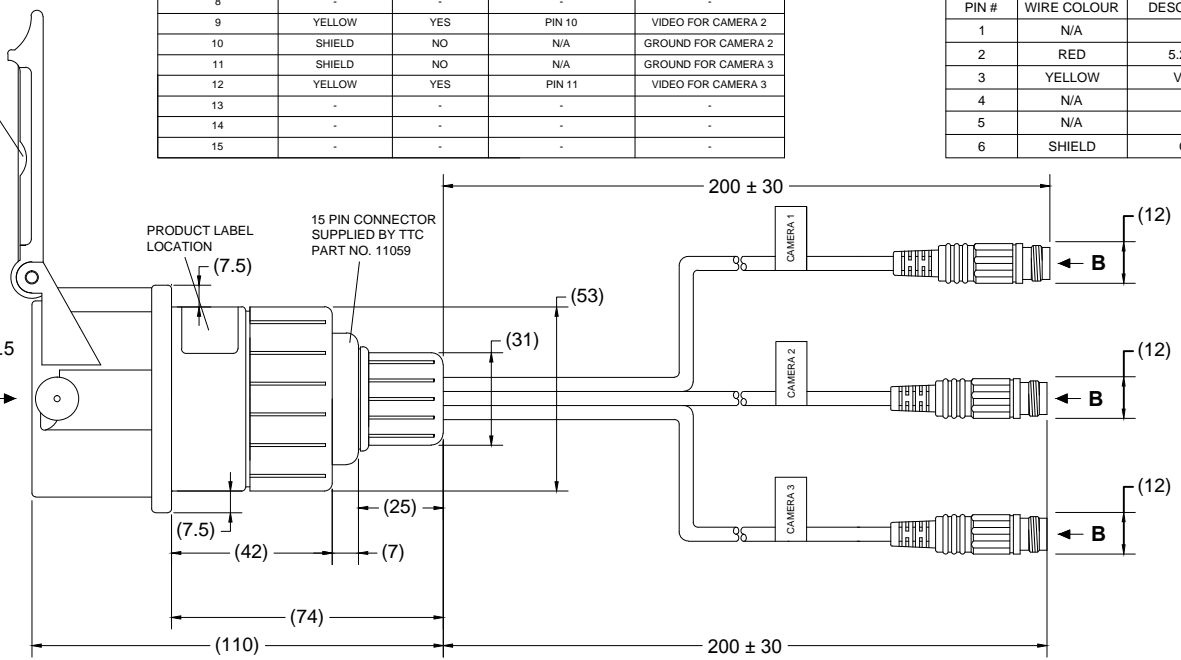
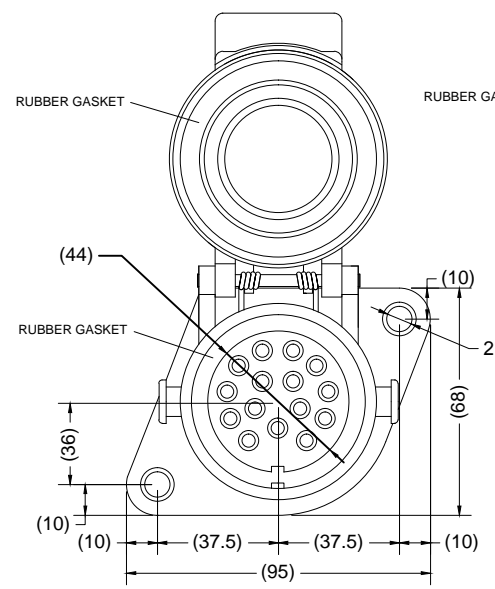


6 PIN MALE MATING FACE

PIN #	WIRE COLOUR	DESCRIPTION
1	N/A	N/C
2	RED	5.2V DC
3	YELLOW	VIDEO
4	N/A	N/C
5	N/A	N/C
6	SHIELD	GND



"BRIGADE ONLY" LABEL LOCATION



- NOTES:**
1. CABLES MUST BE POTTED IN REAR OF CONNECTOR.
 2. SHIELDS MUST BE INSULATED USING HEAT SHRINK TUBING.
 3. PHYSICAL APPEARANCE OF THE CONNECTORS MAY VARY ALTHOUGH FUNCTION MUST REMAIN UNCHANGED.
 4. WIRES TO BE SOLDERED INTO PINS.
 5. CAMERA CABLES & CONNECTORS TO BE SOURCED FROM BRIGADE BN360-L1025 CABLE.
 6. FOR PRODUCT LABEL REFER TO DRAWING # BE-001127-00-10 & BE-001123-XX-10 FOR AVERY TEMPLATE.
 7. FOR "BRIGADE ONLY" LABEL REFER TO DRAWING # BE-001118-00-10 & BE-001120-XX-10 FOR AVERY TEMPLATE.
 8. FOR CAMERA CABLE LABELS REFER TO DRAWING # BE-001145-XX-10.

PROPRIETARY NOTICE
 THIS DESIGN AND TECHNICAL INFORMATION APPEARING ON THIS DRAWING IS THE PROPERTY OF BRIGADE ELECTRONICS, AND IS DISCLOSED IN CONFIDENCE. IT IS NOT TO BE COPIED, REPRODUCED, REVEALED TO OR EXPROPRIATED BY OTHERS, EITHER IN WHOLE OR IN PART WITHOUT THE EXPRESS WRITTEN CONSENT OF BRIGADE ELECTRONICS.



Assembly Pl Approval SIMON NIXON 09.02.16	Approved by B.CHILDS	Checked by R.BATES	Released 11.03.16	Drawn by M.POTTER
Angle of Projection 	Units mm	Scale N/A	Status RELEASED	Assembly Ref N/A
	Part No 5064		SP-15A-05 BE-003297-00-16	